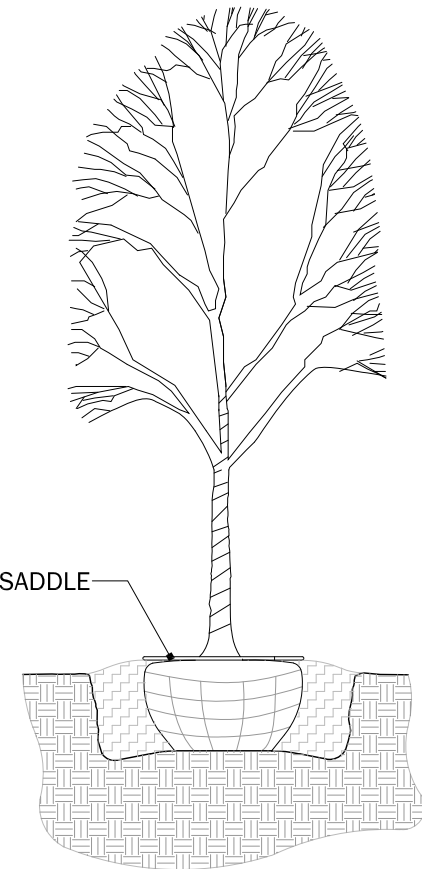
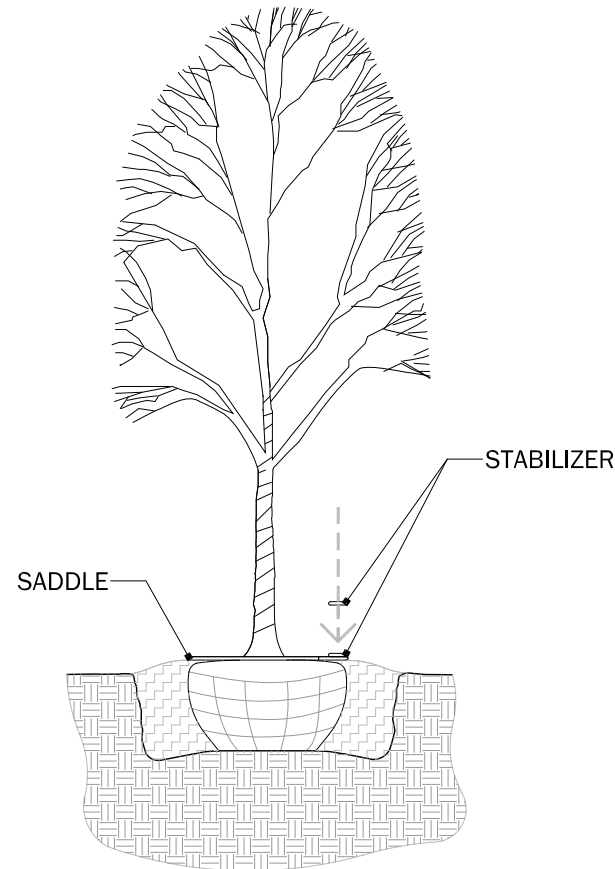


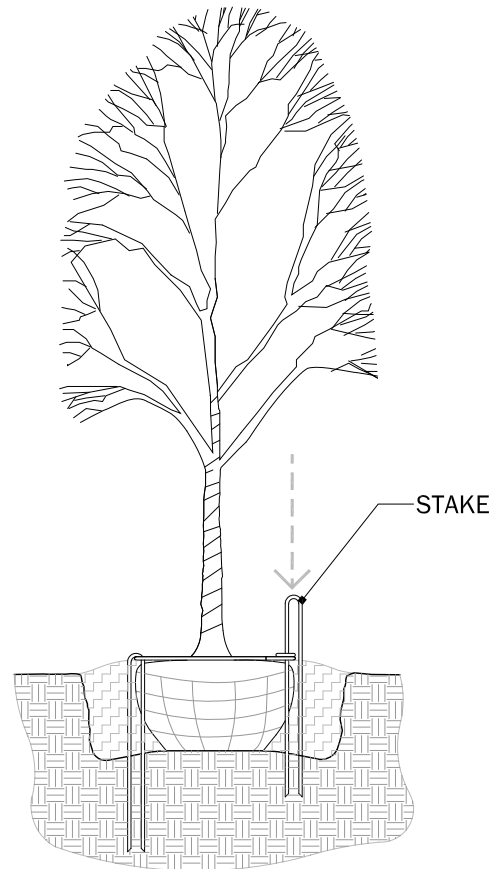
**STEP 1**



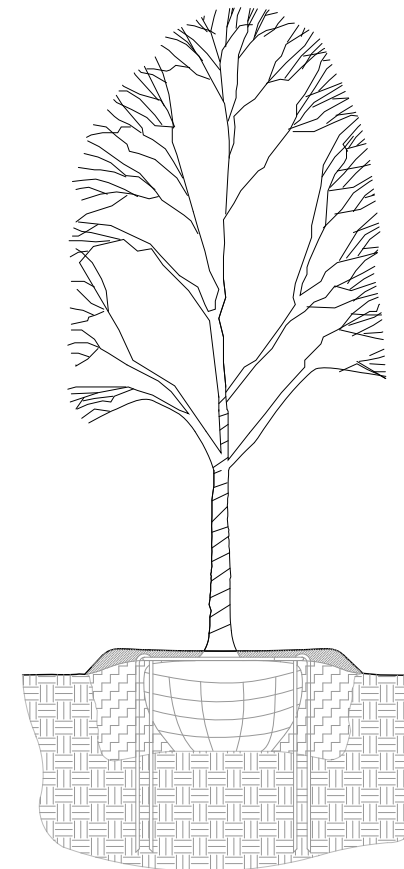
**STEP 2**



**STEP 3**



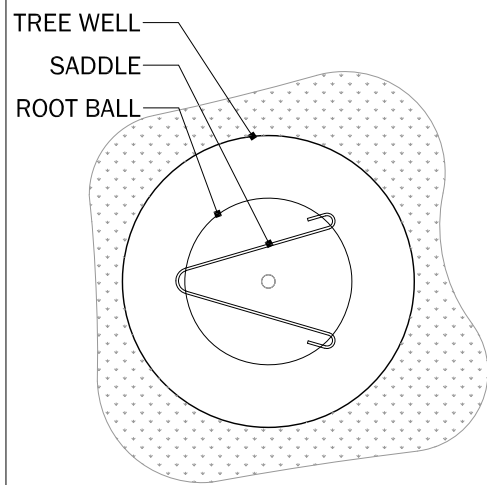
**STEP 4 ENJOY!**



**NOTES:**

1. Details are not planting details. Should be used for GTI Stake installation only. Refer to landscape architects plans for proper planting instructions.
2. Stakes should penetrate a minimum of 16" of undisturbed soil. (contact manufacturer for alternative planting methods. i.e. rocky and sandy soils)
3. Tree should be plumb before staking.
4. Drawings are intended for landscape professionals.
5. Current detail is considered valid upon receipt of soils report, alternative staking methods are available upon request.
6. Contact [gingertreeinnovations.com](http://gingertreeinnovations.com) for product and company information.
7. Please refer below to manufacturers guarantee for qualifying landscape projects, any project that does not meet agreed upon qualifications is null and void of all guarantee stipulations.

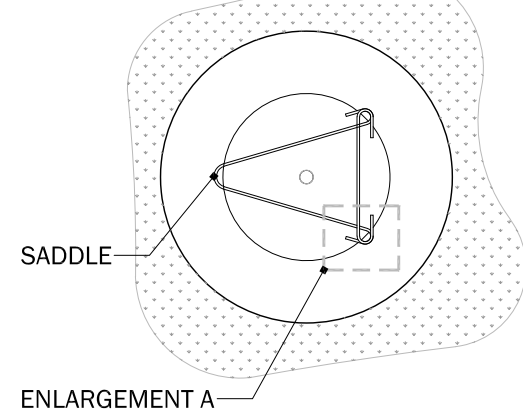
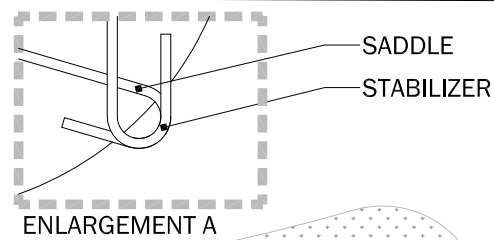
**SECTION**



**PLAN**

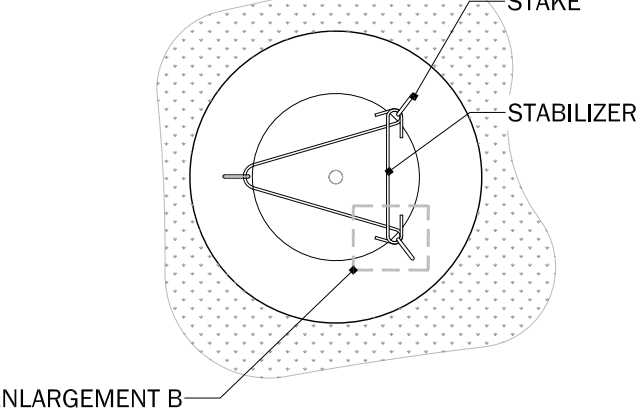
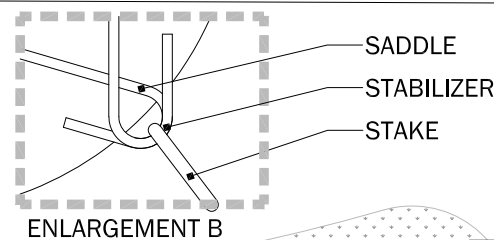
**STEP 1:**

- Refer to planting details for tree installation instructions.
- Place Saddle directly on root ball of tree.



**STEP 2:**

- Lay Stabilizer directly on open end of saddle, as seen above.
- Align curved ends of stabilizer with curved ends of saddle.



**STEP 3:**

- Insert one end of stake through saddle opening. Pinch open ends of stake together as it is set in undisturbed soil.
- Hammer in each stake until top of stake rest 1" below top of root ball.

**GUARANTEE:**

GINGER TREE INNOVATIONS GUARANTEES THAT ALL TREES USING THE GTI TREE STAKE WILL NOT TOPPLE DUE TO LATERAL WIND FORCE. EXCLUDING ANY ACTS OF GOD DEFINED BY ALL INSURANCE AGENCIES WITHIN THE JURISDICTION OF THE TREES INSTILLATION. ALL QUALIFYING PROJECTS MUST BE REGISTERED WITH GTI'S GUARANTEE DEPARTMENT TO QUALIFY FOR GUARANTEE

CONTAINER /ROOT BALL SIZES	GTI STAKE SIZE
10 Gal/16in	SMALL
15 Gal/18in	SMALL
20 Gal/20in	SMALL
25 Gal/22in	MEDIUM
35 Gal/24in	MEDIUM
45 Gal/26in	LARGE
65 Gal/30in	LARGE
100 Gal PLUS	UPON REQUEST



**GINGER TREE INNOVATIONS**

P.O. Box 1728  
Dripping Springs, Texas 78737

[www.gingertreeinnovations.com](http://www.gingertreeinnovations.com)  
[info@gingertreeinnovations.com](mailto:info@gingertreeinnovations.com)  
P 512.910.3881  
M 903.203.4007